

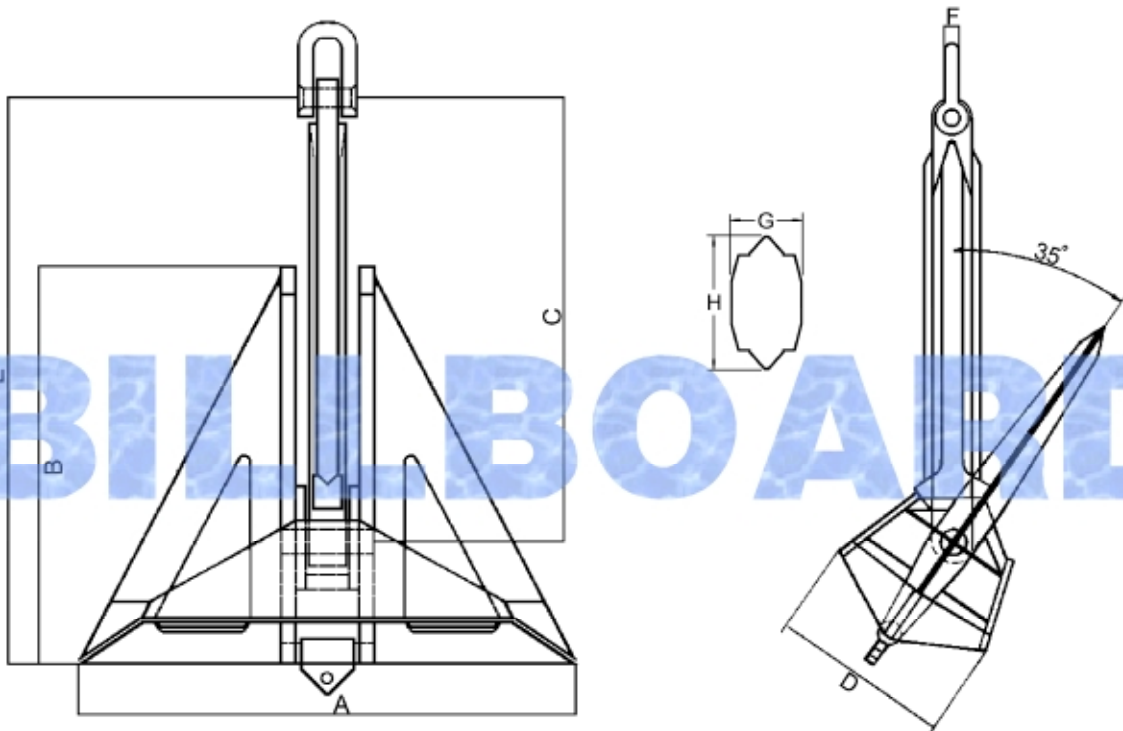
ANCHOR DIMENSION

BBI – DELTA (H.H.P. ANCHOR)

| Anchor Weight (kg) | Dimensions in mm | | | | | | | |
|--------------------|------------------|------|------|------|------|-----|-----|-----|
| | A | B | C | D | E | F | G | H |
| 300 | 1200 | 960 | 1080 | 457 | 1380 | 50 | 86 | 150 |
| 500 | 1500 | 1200 | 1350 | 571 | 1725 | 55 | 108 | 188 |
| 750 | 1700 | 1360 | 1530 | 647 | 1955 | 60 | 122 | 213 |
| 1000 | 1875 | 1500 | 1686 | 714 | 2155 | 65 | 135 | 234 |
| 1500 | 2138 | 1710 | 1921 | 814 | 2455 | 70 | 154 | 267 |
| 2000 | 2363 | 1890 | 2124 | 900 | 2715 | 75 | 170 | 295 |
| 2500 | 2544 | 2035 | 2289 | 969 | 2925 | 80 | 183 | 318 |
| 3000 | 2700 | 2160 | 2430 | 1028 | 3105 | 90 | 194 | 338 |
| 4000 | 2975 | 2380 | 2676 | 1133 | 3420 | 100 | 214 | 372 |
| 5000 | 3250 | 2600 | 2922 | 1238 | 3735 | 110 | 234 | 406 |
| 7000 | 3575 | 2860 | 3216 | 1361 | 4110 | 125 | 257 | 447 |
| 10000 | 4100 | 3280 | 3690 | 1561 | 4715 | 140 | 295 | 513 |
| 13500 | 4450 | 3560 | 4002 | 1695 | 5115 | 150 | 300 | 556 |
| 15000 | 4625 | 3685 | 4160 | 1771 | 5315 | 155 | 310 | 580 |
| 18000 | 4900 | 3920 | 4410 | 1866 | 5635 | 160 | 353 | 613 |
| 22500 | 5300 | 4240 | 4770 | 2018 | 6095 | 170 | 381 | 663 |
| 27500 | 5650 | 4520 | 5082 | 2152 | 6495 | 180 | 406 | 706 |
| 32500 | 5900 | 4720 | 5310 | 2247 | 6785 | 190 | 424 | 738 |



- Remark :
1. High Holding Power Anchor.
 2. Intermediate Sizes available on request.
 3. Approximate Weight and Dimension for reference only.



Stability of Anchor

An Anchor is said to be stable if it can be pulled over load distance without lying on its side, overturning or breaking out from the ground.

